

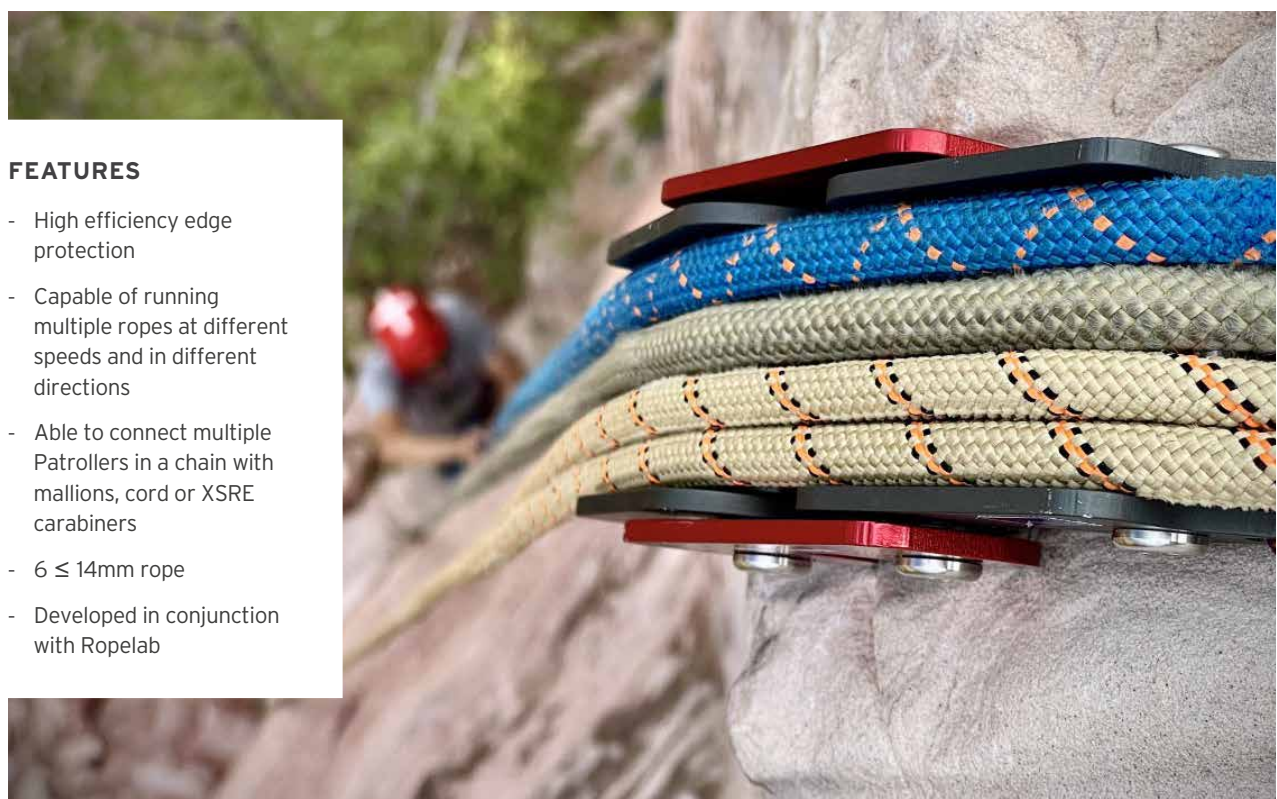
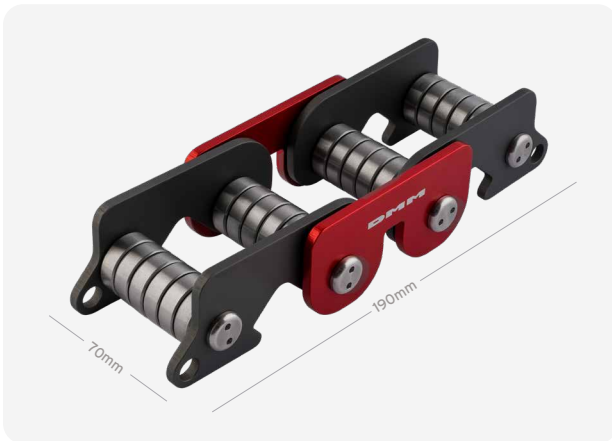
Patroller



The compact Patroller maintains efficiency when managing multiple ropes moving at different rates.

Technicians often need to place more than one rope in an edge roller however, once the ropes move at different rates, all the benefit of a 'roller' is lost. Even if the stretch in the ropes is slightly different, they both compete for control. Remember, roller-less edge friction effectively doubles the load during a raise. With an efficient edge roller, a 3:1 system should be all that is required to raise a single person. Without this, or with ropes fighting against each other, forces will be higher, more advantage will be needed, and complexity and time both go up.

PATROLLER V01

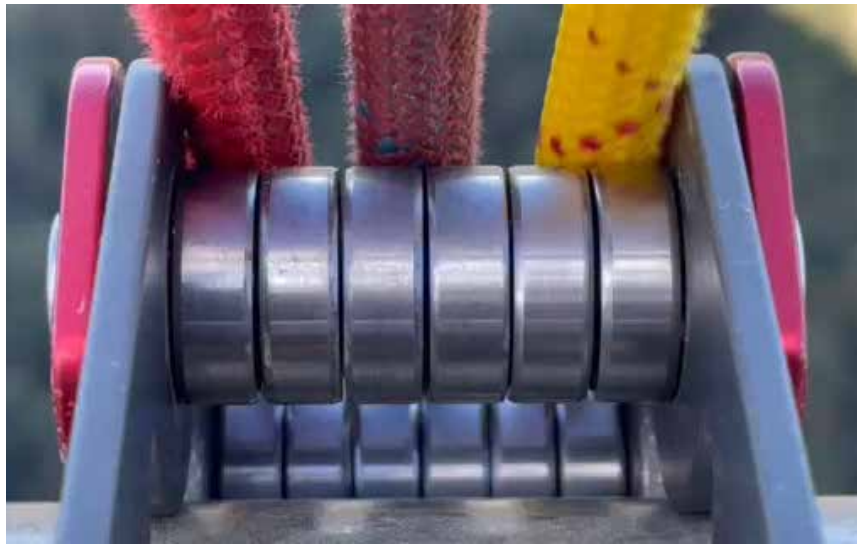


FEATURES

- High efficiency edge protection
- Capable of running multiple ropes at different speeds and in different directions
- Able to connect multiple Patrollers in a chain with mallions, cord or XSRE carabiners
- $6 \leq 14\text{mm}$ rope
- Developed in conjunction with Ropelab

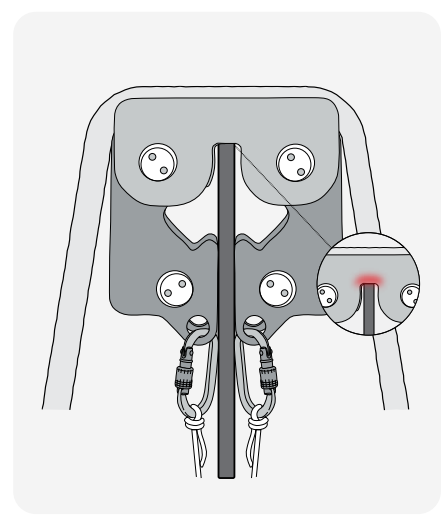
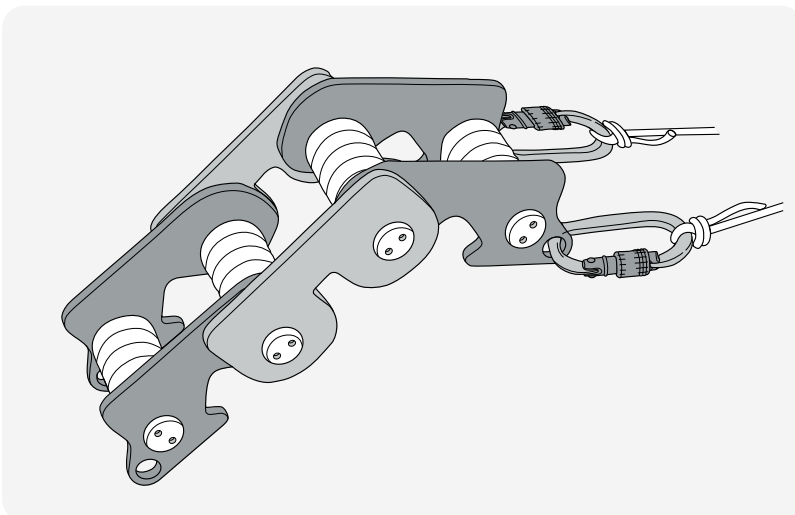
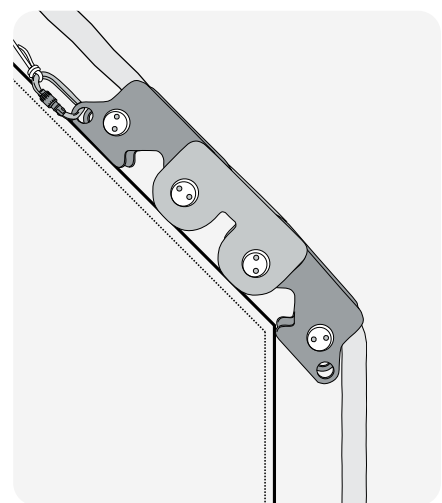
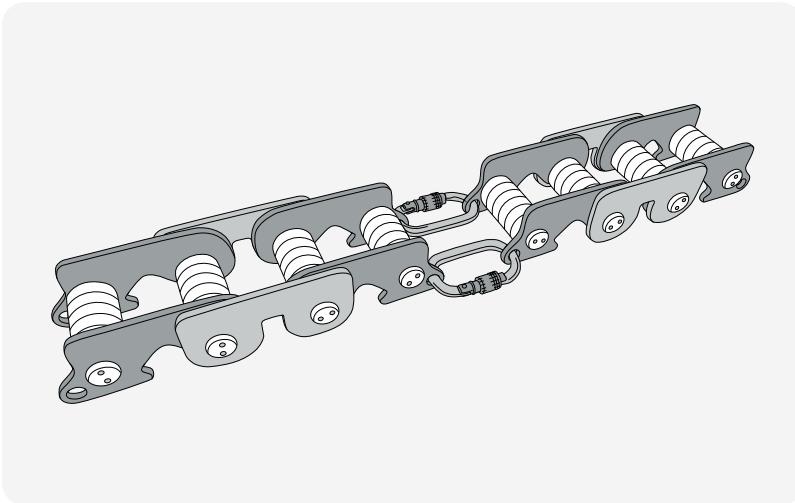
PRODUCT INFORMATION

APPLICATION



ADDITIONAL FEATURES

PATROLLER V01



TECH SPECS

DESCRIPTION	PRODUCT CODE	COLOUR	WEIGHT	DIMENSION (W X H X D)	CONFORMANCE
Patroller	EH300	Grey/Red	560g	190 x 70 x 40mm	NOT PPE
Patroller	EH300MG	Grey	560g	190 x 70 x 40mm	NOT PPE

PRODUCT INFORMATION